

FAB
DEFENSE®



KPOS > G2

USER MANUAL

⚠ WARNING

Make sure your Weapon is unloaded before you begin any assembly or disassembly procedures.

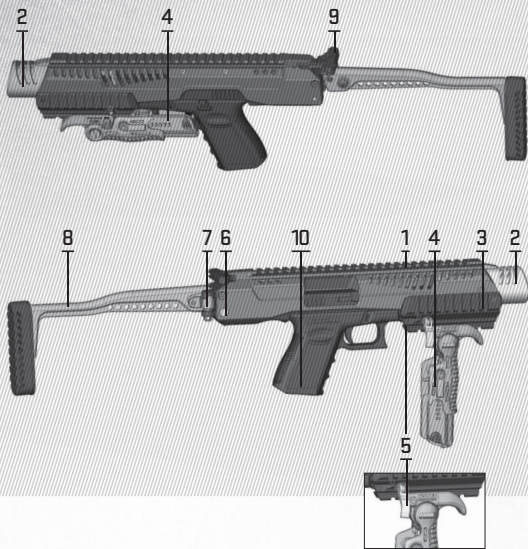


Fig 1

NO.	PART NAME
-----	-----------

- | | |
|----|-----------------------|
| 1 | Receiver |
| 2 | Flash-hider |
| 3 | Handguard |
| 4 | Triggerguard Foregrip |
| 5 | Locking Lever |
| 6 | Rear Locking Pin |
| 7 | Buttstock Hinge |
| 8 | Buttstock |
| 9 | Charging Handle |
| 10 | Pistol |

NOTE: For pistols other than Glock, you might find an insert referring to your specific handgun. Otherwise, proceed to section 2. **KPOS G2 - SYSTEM ASSEMBLY.**

1. KPOS G2 -SYSTEM SET ADJUSTMENT

The GLOCK KPOS G2 is supplied factory preset for the Glock 17 Semi Automatic Pistol. When using the Glock 19 Semi Automatic Pistol the preset may be adjusted.

Adjustment of the factory preset from Glock 17 to Glock 19 is performed as follows:

- Place the KPOS G2 upside down and pull back the Charging Handle (9) until the Slide Drawer (9.1) will be completely exposed within the KPOS G2 chassis.
- Holding the Charging Handle (9), unscrew the Slide Drawer's Screws (9.2) and remove the Slide Drawer (Fig.2).

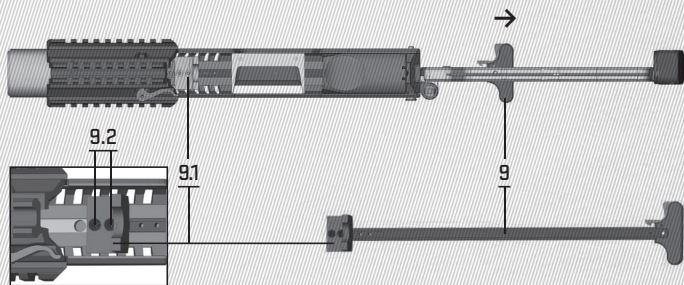


Fig 2 Glock 17 - set position

- Place the Slide Drawer in backward position as shown in Fig. 3 and fasten the Slide Drawer's Screws (9.2).

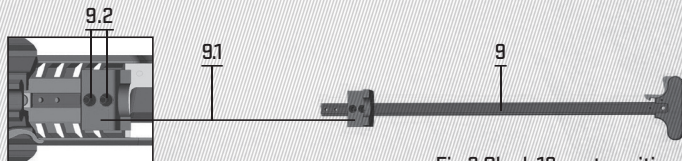


Fig 3 Glock 19 - set position

2. KPOS G2 - SYSTEM ASSEMBLY

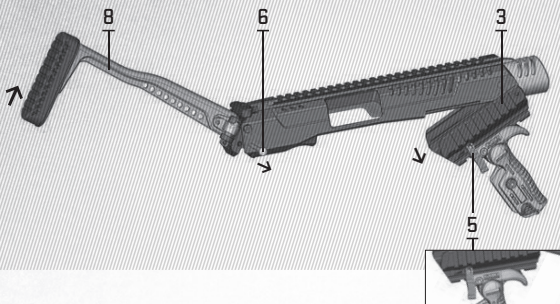


Fig 4

Step 1. Open the Locking Lever (5) to the front and rotate to vertical position pointing down (Fig.4).

Pull out the Rear Locking Pin (6), lower the Handguard (3) and lift the Buttstock (8) up.

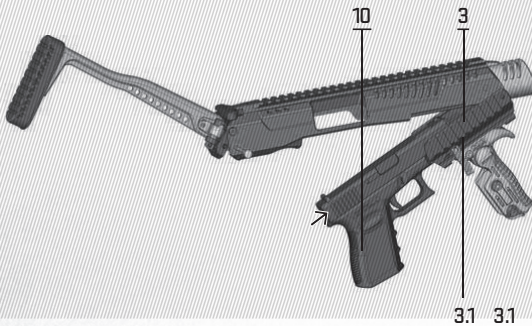


Fig 5

Step 2. Slide your Pistol (10) into the Handguard (3) so the Pistol Rail Grooves will fit securely into the Handguard's Rails (3.1) (Fig 5).

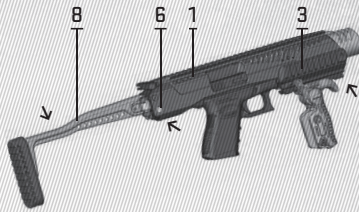


Fig 6

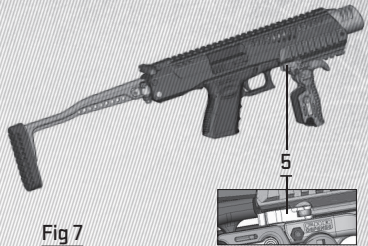


Fig 7

Step 3. Push the Handguard (3) upwards until the pistol is positioned into the Receiver (1). Push the Buttstock (8) downwards and secure the system by inserting the Rear Locking Pin (6) back into place (Fig.6).

Fasten your Pistol by closing the Locking Lever (5) in horizontal position (Fig. 7).

3. KPOS G2 – FOLDING/UNFOLDING THE BUTTSTOCK

To fold the Buttstock (8) apply downward pressure parallel to the Hinge (7) and rotate forward (Fig 8).

Unfold the Buttstock by simply pulling it back (Fig. 9).

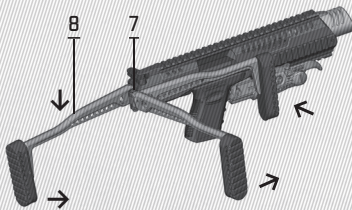
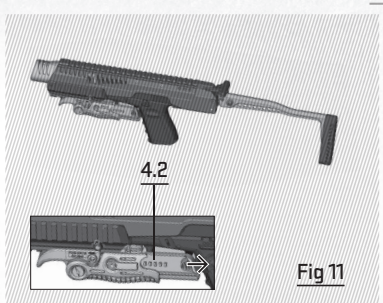
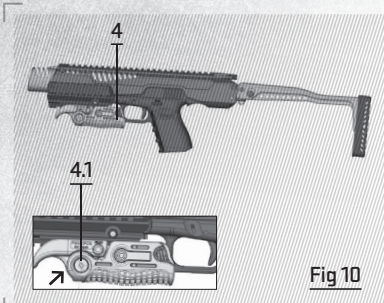


Fig 8



Fig 9

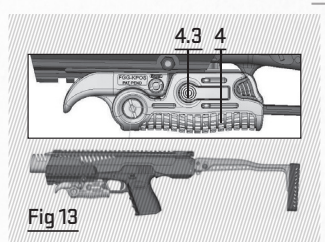
4. KPOS G2 - TRIGGER SAFETY



Step 1. In order to secure the Trigger, fold the Triggerguard Foregrip (4) to horizontal position by pressing the Button (4.1) (Fig 10).

Step 2. Pull out the Triggerguard Foregrip Extension Slide (4.2) until the Trigger is fully covered (Fig 11).

5. KPOS G2 - TRIGGER SAFETY - DISENGAGEMENT



Option A (Fig 12) Unfold the Triggerguard Foregrip (4) to vertical position.

Option B (Fig 13) Press the Release Buttons (4.3) positioned on the Triggerguard Foregrip (4). The Triggerguard Foregrip Extension Slide (4.2) will return to the initial “disengaged” position.

6. KPOS G2 - BUTTSTOCK HEIGHT ADJUSTMENT



Fig 14

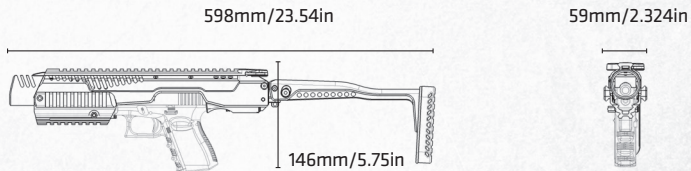


Fig 15

Step 1. Loosen the Buttstock Screw (8.1) (Fig. 14).

Step 2. Adjust the Buttstock (8) to your desired position and then tighten the screw (8.1) back into place (Fig. 15).

7. KPOS G2 - DIMENSIONS WITH GLOCK 19



Weight - 960 gr/2.62 lb

Weight with Glock 19 - 1555 gr/3.43 lb

Weight with Glock 17 - 1630 gr/3.59 lb

FAB DEFENSE®

43, Yakov Olamy St. Mishmar Hashiva
ISRAEL 50297

Tel: +972 3 960 3399

Fax: +972 3 960 3312



www.fab-defense.com