

# Dynamit Nobel

Explosivstoff- und Systemtechnik

Technischer Service

Kronacher Straße 61

D-90765 Fürth

## Safety and instruction manual



CO<sub>2</sub> Air pistol  
RWS Mod. C 225  
RWS Mod. C 225 Target  
Caliber .177 (4.5 mm)

Pat. applied for



You must be 18 years old to purchase this air pistol. Warning: Carefully read and follow these instructions before using this air pistol. If there is anything you do not understand, get help from someone qualified in the safe handling of guns. It is your responsibility to follow the rules of safe use and ownership of this air pistol.



This symbol marks safety warnings in this instruction manual. When you see this symbol you should pay close attention to the warning.



Read the Instruction manual carefully. Only load the pistol immediately before you intend to shoot. If you have charged the gun and will not shoot, discharge the pistol as described. Only an unloaded gun with the safety on is really safe. Accidents can happen very quickly! Warning: If this gun is carelessly or improperly handled, unintentional discharge could result causing injury, death or damage to property. Please be very careful when shooting!

The chapter "Safe aiming and shooting" in this instruction manual will inform you about the rules for safe shooting. Read this chapter! Follow these rules and be sure that everybody handling this gun is familiar with the rules. Also read the chapter "Safe handling of guns" to avoid accidents.

Your air pistol should be treated with the same respect as a firearm. Always be aware that the most important safety aspect of a gun is the shooter. All safeties are mechanical and the shooter is responsible for its proper use. Do not rely on mechanical safeties, think in advance and avoid situations which may lead to an accident.

Every gun differs in function. You should never shoot a gun you are not familiar with. Read the following instruction manual and practice safely handling your gun prior to loading it.

## See the following sections for information on safe shooting:

- |  |                                  |
|--|----------------------------------|
| 1) Refer to the parts illustration to become familiar with your new air pistol | 9) Maintenance                   |
| 2) Using the decocking lever (safety)  | 10) Problems                     |
| 3) Installing and changing the CO <sub>2</sub> cartridge                       | 11) Modifications to the gun     |
| 4) Loading and unloading the air pistol  | 12) Repair of RWS air pistols    |
| 5) Safe aiming and shooting  | 13) Warranty for RWS air pistols |
| 6) Use and handling of CO <sub>2</sub> cartridges                              | 14) Safe handling of guns        |
| 7) Adjusting the rear sight  | 15) Technical specifications     |
| 8) Storage   | 16) Parts illustration           |

22

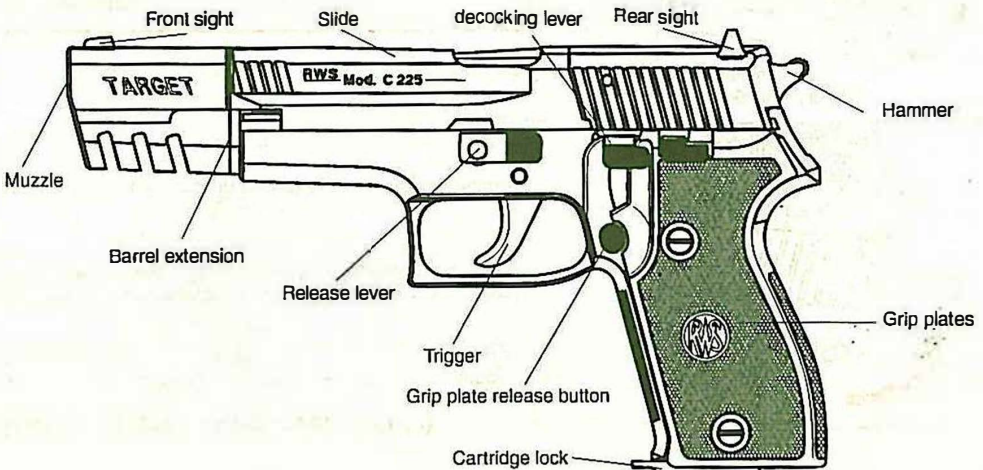


Never leave an unattended gun loaded and ready to fire!

Always keep and carry your pistol unloaded. The weapon is safe only when the hammer is decocked (with the decocking lever). Make sure the chamber is clear (empty) During storage, remove the pellet cylinder and CO<sub>2</sub> cartridge and store them in a separate location. Keep out of reach children and unauthorised persons.

## 1. Refer to the parts illustration to become familiar with your new air pistol

It is your responsibility to become familiar with the component parts of your pistol. You will understand this instruction manual properly with this knowledge.



23

## 2. Using the decocking lever (safety)

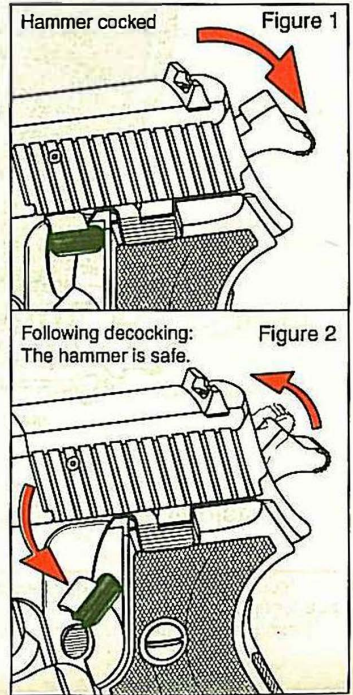
A. The hammer is cocked as shown in Figure 1. To decock or safe it, use the decocking lever.

B. Push the decocking lever into the lower position as shown in Figure 2. The hammer will be decocked and placed in the safety notch.

C. Handle the weapon only in decocked and safe condition.



**WARNING:**  
We recommend that the weapon always be in the "Safe" position until you intend to shoot.



24

## 3. Inserting and changing the CO<sub>2</sub> cartridge

### A. Inserting a CO<sub>2</sub> cartridge



**WARNING:** Before inserting a CO<sub>2</sub> cartridge, insure that the safety is ON and the muzzle is pointed in a safe direction!

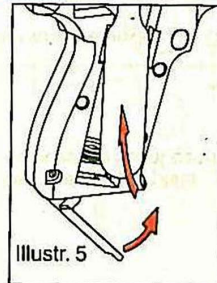
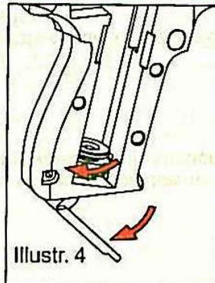
**Only use 12 g CO<sub>2</sub> cartridges. (Never use other cartridges loaded with any different gas).**

Push the grip plate release button on the left side to remove the grip plate exposing the CO<sub>2</sub> cartridge (see illustration 3). Swing the CO<sub>2</sub> cartridge lock downward and loosen the cartridge retaining wheel (see illustration 4). Insert the cartridge into the grip with the grip with the narrow end first (see illustration 5), then turn the cartridge screw until it is in contact with the cartridge (do not tighten it, as this could damage the cartridge seal). Now close the cartridge lock to activate the CO<sub>2</sub> cartridge. Carefully press the grip plate back in place.

To check proper installation of the cartridge, insure that the gun is unloaded, and shoot in a safe direction. If the pistol is not functioning properly, repeat the cartridge insertion procedure.



**WARNING:** Do not use force to insert the CO<sub>2</sub> cartridge.  
If you are not going to use the weapon for an extended period, we recommend removing the CO<sub>2</sub> cylinder in order to prevent strain on the valve.



25

## B. Remove the CO<sub>2</sub> cartridge

Push the decocking lever (see Chap. 2). Swing the cartridge lock downward. Remove the grip plate (see illustration 3) and loosen the cartridge retaining wheel (see illustration 4). Remove the spent cartridge.



**WARNING:** Keep face and hands in a safe distance and use caution when removing the CO<sub>2</sub> cartridge, escaping CO<sub>2</sub> gas can cause frostbite.



**WARNING!** CO<sub>2</sub> cartridges can explode in temperatures above 122 degrees Fahrenheit. Do not dispose of cartridges in a fire. Do not store cartridges in temperature above 122 degrees Fahrenheit. Do not use spent CO<sub>2</sub> cartridges for any other purpose. Do not leave CO<sub>2</sub> cartridges in a automobile in direct sunlight.

## 4. Loading and unloading the pistol



**WARNING:** Use only .177 caliber (4,5 mm) Diablo pellets with a maximum length of 6.5 mm. Do not use BBs or other unsuitable pellets.

### A. Loading the pistol

- Put the safety in the ON position (Hammer decocked, see Chap. 2).
- Open the slide by pushing the release lever downward (see illustration 6). Hold the pistol horizontal to keep the pellet cylinder in place and prevent it from falling out of the pistol.
- A safety prevents the trigger from being pulled when the weapon is open.
- Remove the pellet cylinder and load the Diablo pellets head first (see illustration 7) insuring that each is completely inserted.
- Place the pellet cylinder back in the pistol (see illustration 8), move the slide to the closed position and push the release lever upwards to the horizontal position to lock the slide closed.



**WARNING:** Do not put your hand over the muzzle! Do not put your finger on the trigger! Make sure that muzzle is pointed in a safe direction! Never aim at people or pets.

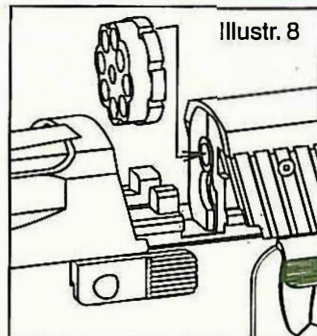
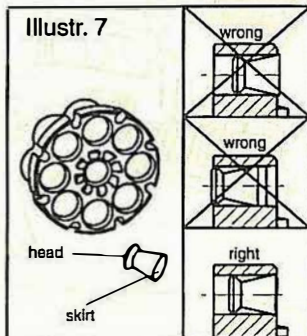
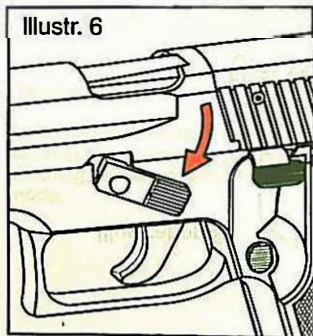
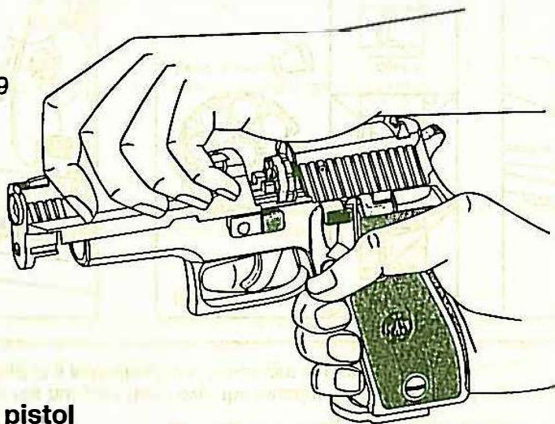


Illustration 9



## B. Unloading the pistol

- Put the safety on, (Hammer decocked, see Chap. 2).
- Open the slide by pushing the release lever downward (see illustration 6)
- Remove the pellet cylinder and carefully push the pellets out of the cylinder with the cleaning rod.



**WARNING:** Never use a metal object to remove the pellets. Damage to cylinder or barrel impairs the function.

- Make sure that there is no pellet in the barrel.
- If there is a pellet in the barrel, push it out with the cleaning rod.
- Never shoot with a used pellet. It could damage cylinder and barrel.

28

## 5. Safe aiming and shooting



**WARNING:** Always point the muzzle of the gun in a safe direction. Never aim at people or pets. Always handle your pistol as if it is loaded and ready to fire.

Make sure the safety is ON, insert the CO<sub>2</sub> cartridge, and load the pistol as described.



**WARNING:** Be very careful where you aim this high efficiency pistol. Aim only at objects that cannot be penetrated. Never shoot at hard surfaces or water. A Diablo pellet may ricochet and travel in another direction.

When you are certain that the target, backstop and surrounding area are safe, go through the proper steps to ready the weapon for firing. Only then should you shoot. Squeeze the trigger with steady pressure until the pistol fires.

The pistol will function in either double-action or single-action mode.

To fire in double-action, apply steady pressure to the trigger until the pistol fires. To fire in single-action, first cock the hammer to activate single-action mode, then apply steady pressure to the trigger until the pistol fires. For rapid-fire shooting we recommend the double-action mode, for more precise aimed shooting we recommend the single-action mode.

29



**WARNING:** Do not assume that the pistol is unloaded if it fails to fire properly!

**WARNING:** Insufficient CO<sub>2</sub> pressure could cause a pellet to lodge in the barrel. See chapter 6, "Use and handling of CO<sub>2</sub> cartridges" for further instructions.

If a pellet fails to be shot after execution of the operation steps mentioned before this could be due to a feed jam.



**A feed jam is dangerous.**

- Put the safety ON (Hammer decocked, see Chap. 2).
- Open the slide and remove the pellet cylinder.
- Check that each pellet is properly inserted in the cylinder.
- Check the barrel with the cleaning rod to insure that no pellet is lodged in the barrel.
- Close and lock the slide without replacing the pellet cylinder.
- Aim in a safe direction, turn the safety OFF and shoot the pistol to test the CO<sub>2</sub> pressure.
- If no CO<sub>2</sub> pressure is evident, change the CO<sub>2</sub> cartridge.



**WARNING:** Keep hands and face at safe distance from the CO<sub>2</sub> cartridge. Escaping CO<sub>2</sub> gas can lead to frostbite!

30

## 6. Use and handling of CO<sub>2</sub> cartridges

Certain conditions such as improper storage or very rapid firing can negatively effect the efficient performance of your CO<sub>2</sub> pistol.

1. Do not store your pistol in an area of unusually high or low temperature. High temperature can cause increased pressure in the CO<sub>2</sub> cartridge leading to a malfunction or permanent damage to the pistol. Low temperatures can reduce pressure in a CO<sub>2</sub> cartridge leading to weak shots. Do not leave your gun unattended in bright sunlight. The CO<sub>2</sub> cartridge can get too hot and explode, damaging the gun and injuring or killing anyone nearby.
2. Rapid-fire shooting will quickly chill a CO<sub>2</sub> cartridge leading to reduced pressure and pellet velocity.
3. Rapid fire shooting leads to reduced shooting efficiency.
4. As the cartridge loses pressure you will notice several characteristics:
  - A) The sound of the actual shot will be not as loud.
  - B) Pellet impact will be lower on the target.



**WARNING:** Continued shooting when the cartridge has lost pressure could cause a pellet to lodge in the barre! See the warning on feed jams.

31

## 7. Adjusting the rear sight

Aim at a safe target and line-up the front sight in the middle of the rear sight. (see illustration 11).  
Fire several test shots to determine if your sights need to be adjusted. A fully adjustable rear sight is available as an accessory. (Illustr. 10).

### Standard rear sight adjustment

Loosen the screw securing the rear sight (see illustration 10)

- If your pistol is shooting to the RIGHT, slide the rear sight to the left.
- If your pistol is shooting to the LEFT, slide the rear sight to the right.

Fire several test shots to confirm your sight correction.  
Tighten the screw securing the rear sight.

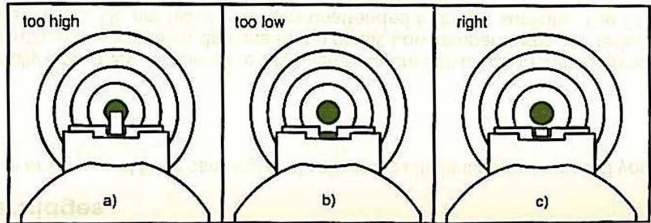
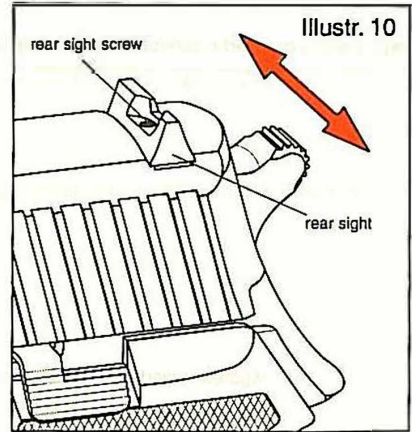


Illustration 11

## 8. Storage



**Never leave a loaded gun unattended!**

Always store your gun unloaded. Open the slide and remove the pellet cylinder and check to insure that no pellet remains in the barrel. Remove the CO<sub>2</sub> cartridge. Store your pistol in a separate location from the pellets and CO<sub>2</sub> cartridges. Keep out of reach of children and unauthorised persons.

## 9. Maintenance

With the proper maintenance your pistol will give you years of pleasant shooting.



**WARNING:** Do not attempt to clean your pistol without first having put the safety on, removing the pellet cylinder and CO<sub>2</sub> cartridge, and checking to insure that no pellet remains in the barrel.

Clean the surface of your pistol with a soft cloth and gun oil.  
To insure continued proper function, place 2 - 3 drops of gun oil on the cartridge lock, slide rails, and grip lock button after every 250 shots.

## 10. Problems

Problems	POSSIBLE REASONS	CO <sub>2</sub> cartridge is empty	barrel is dirty	CO <sub>2</sub> cartridge is defective	extreme temperatures	incorrect pellets	pellets inserted in the pellet cylinder incorrectly	slide is not properly closed and locked	incorrect sight adjustment
Bad shooting efficiency	●	●		●	●	●			●
Pistol does not function	●		●		●	●	●		
Low pellet velocity	●	●		●	●	●			

## 11. Modifications



**WARNING:** This pistol has been designed and manufactured for optimum function and efficiency. Do not make any modifications as they could lead to malfunctions or unsafe conditions.

## 12. Repair

Do not attempt to repair this pistol if it needs service. Incorrect assembly could lead to dangerous malfunctions.



Repairs should only be completed by RWS authorized service.

## 13. Warranty on RWS CO<sub>2</sub> -air pistol

Within one year from date of purchase Dynamit Nobel / RWS will repair or replace the pistol free of charge if the defect was not caused by you. Return the gun to the authorised dealer where you have bought it.



**WARNING:** When carrying the gun make sure that the safety is ON, the pistol is unloaded and the CO<sub>2</sub> cartridge is removed.

34

## 14. Safe handling of your pistol

It is your responsibility to be familiar with the safe and correct use of your pistol.

- Always handle your pistol as if is loaded.
- When loading your pistol, insure that the safety is ON, and do not put your finger near the trigger.
- Use only the recommended pellets and CO<sub>2</sub> cartridges.
- Always point the muzzle in a safe direction.
- Remember that this is a high efficiency pistol capable of propelling a pellet over 400 yards.
- Always check a gun to see if it is loaded when removed from storage or received from another person.
- Never transport your pistol when loaded.
- Do not aim at people or pets. Never shoot at a hard surface or water.
- Be sure that your target and backstop are safe.
- Make sure you can control the direction of the muzzle if you stumble or fall.
- Unload your airgun before giving it to another person.
- Always wear shooting glasses when shooting your pistol.
- Always store your pistol in a secure location out of the reach of children or unskilled users.
- Store your pellets and CO<sub>2</sub> cartridges in a separate location.
- When transferring this pistol be sure to include this instruction manual.
- Repairs to this pistol should only be done by Walther authorized service
- Never leave a loaded gun unattended.

35

## 15. TECHNICAL DATA

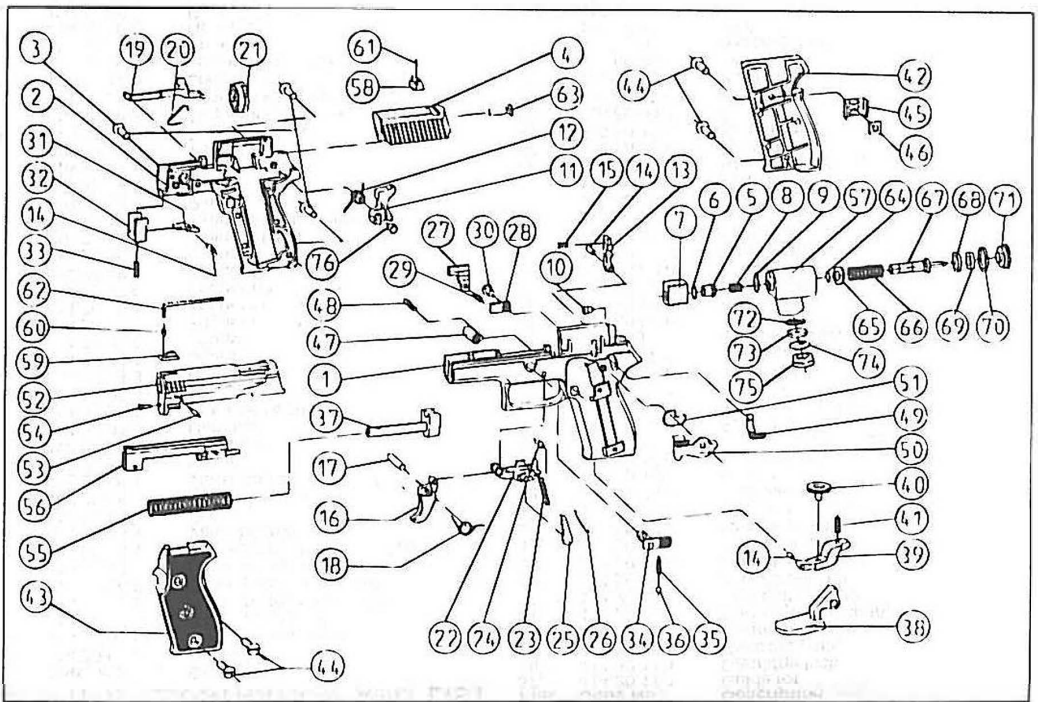
	Model C 225	Model C 225 Target
Mechanical system	CO <sub>2</sub> Pistol	CO <sub>2</sub> -Pistol
Caliber	.177 (4.5 mm)	.177 (4.5 mm)
Cylinder capacity	8 rounds	8 rounds
Total length	7" (180 mm)	9" (230 mm)
Weight	37 ounces (1050 g)	41 ounces (1160 g)
Muzzle velocity	393 ft (120 m/s)	426 ft (130 m/s)
Barrel length	4" rifled barrel	6" rifled barrel
Function	(12 g) CO <sub>2</sub>	(12 g) CO <sub>2</sub>
Safety	- Firing-pin safety by detent in the hammer safety notch (by means of the decocking lever) - Trigger safety when slide open	- Firing-pin safety by detent in the hammer safety notch (by means of the decocking lever) - Trigger safety when slide open

36


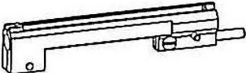

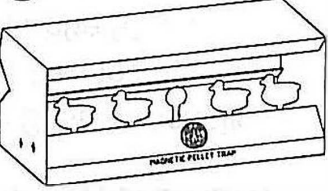
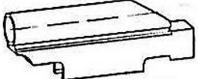

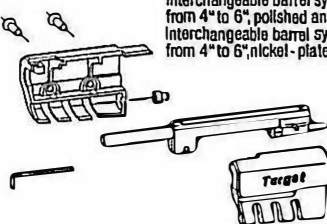
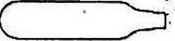
## 16. PARTS ILLUSTRATION AND LIST

Pos.	Code No.	Description	Pos.	Code No.	Description
1.	414.20.01.0	Frame blue	37.	414.20.17.1	Guide rot
	414.21.01.0	Frame nickel plated	38.	414.20.11.1	Cartridge lock
2.	414.20.02.0	Cover plate blue	39.	416.20.27.0	Pressure plate
	414.21.02.0	Cover plate nickel plated	40.	414.20.21.0	Cartridge screw
3.	347.20.06.0	Cover plate nickel screw	41.	416.20.35.1	Cartridge lock spring
4.	414.20.03.1	Frame upper part, blue	42.	414.20.12.1	Grip plates, right
	414.21.03.1	Frame upper part, nickel plated	43.	414.20.13.1	Grip plates, left
5.	416.20.03.1	Valve bushing	44.	319.20.15.0	Grip plate screw
6.	416.20.04.2	O-ring	45.	414.20.14.1	Grip plate catch
7.	416.20.05.0	Valve chamber	46.	416.20.32.0	Grip plate nuts
8.	416.20.06.1	Valve spring	47.	414.20.15.0	Grip plate release button
9.	416.20.07.2	O-ring	48.	348.40.06.1	Release button spring
10.	414.20.19.1	Firing pin	49.	414.20.16.1	plate
11.	414.20.04.0	Hammer	50.	314.20.15.0	decocking lever
12.	414.20.24.1	Hammer spring	51.	314.20.16.1	decocking lever spring
13.	414.20.05.0	Sear	52.	414.40.01.0	Slide, blue
14.	346.73.03.3	Pin		414.41.01.0	Slide, nickel plated
15.	414.20.23.1	Sear spring	53.	416.40.10.1	Barrel retaining screw
16.	414.20.06.0	Trigger	54.	344.20.30.0	Slide screw
17.	319.20.27.3	Trigger pivot pin	55.	416.40.08.1	Slide spring
18.	414.20.25.1	Trigger spring	56.	414.100	Barrel 4" assy.
19.	414.20.07.0	Trigger bar	57.	416.60.01.0	Valve body
20.	414.20.08.1	Trigger bar spring	58.	414.70.01.0	Rear sight
21.	416.20.16.0	Cylinder	59.	414.70.02.0	Front sight
22.	416.20.17.0	Cylinder latch	60.	414.70.03.0	screw
23.	370.20.13.1	Cylinder latch spring	61.	416.70.02.3	Rear sight screw
24.	416.20.12.1	Pin	62.	416.70.04.3	Sicht wrench
25.	416.20.19.0	Pawl	63.	303.20.28.3	Screw
26.	416.20.37.1	Pawl spring	64.	416.60.06.2	O-ring
27.	416.20.20.0	Trigger lock	65.	416.60.05.1	Disk at pestle
28.	416.20.21.0	Trigger lock nut	66.	416.60.07.1	Release button spring
29.	316.40.06.1	Trigger lock spring	67.	416.60.02.0	Pestle
30.	414.20.20.0	Trigger lock screw	68.	416.60.13.1	Spring clip
31.	414.20.18.0	Locking lever	69.	416.60.04.1	O-ring
32.	414.20.09.0	Locking lever catch	70.	416.60.12.1	O-ring
33.	316.20.12.1	Spring	71.	416.60.03.1	Valve nut
34.	414.20.10.0	Release lever	72.	416.60.08.1	Filter
35.	316.40.06.1	Rest ball spring	73.	416.60.09.1	piercing disk
36.	303.40.07.3	Rest ball	74.	416.60.10.1	seal
			75.	416.60.11.1	Nut at detonator
			76.	414.20.22.1	Hammer tube

37



### RWS Mod. C 225

<p>①</p>  <p>Sight vertically and horizontally adjustable sight with front sight</p> <p>414.111</p>	<p>⑤</p>  <p>Interchangeable barrel system from 6" to 4"</p> <p>414.100</p>
<p>②</p>  <p>Adapter rail with 11 mm dovetail guide</p> <p>414.112</p>	<p>⑥</p>  <p>Magnetic Pellet Trap 4 targets are knocked down when a hit is scored. When the center target is hit, all targets return to the upright position. Dimensions: 49 x 22 x 30 cm.</p> <p>3.2081</p>
<p>③</p>  <p>Red dot optical sight</p> <p>5.8050</p>	<p>⑦</p>  <p>Cylinder magazine Pack of 3</p> <p>414.120</p>
<p>④</p>  <p>Interchangeable barrel system from 4" to 6", polished and blued 414.101 Interchangeable barrel system from 4" to 6", nickel-plated 414.102</p> <p>Target</p>	<p>⑧</p>  <p>CO<sub>2</sub> Capsules Pack of 10; contents 12 g; for all C Oalguns</p> <p>4.1681</p>